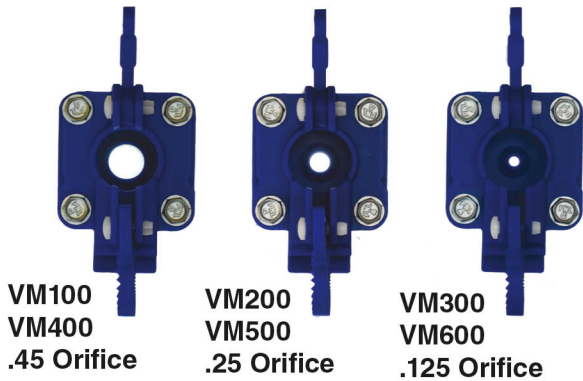


THE MONTICELLO VALVE

THE MONTICELLO IS A HUGE IMPROVEMENT ON A LEGENDARY VALVE WHICH SUCCESSFULLY WATERED ANIMALS FOR OVER 50 YEARS



Model	Base Threads	Orifice Size
VM100-VM600 - Valve Only		
VM100	3/4" NPT	.45"
VM200	3/4" NPT	.25"
VM300	3/4" NPT	.125"
VM400	1/2" NPT	.45"
VM500	1/2" NPT	.25"
VM600	1/2" NPT	.125"
VM150-VM650 - Valve, Float Arm, (2) Thumb Screws, & Float		
VM150	3/4" NPT	.45"
VM250	3/4" NPT	.25"
VM350	3/4" NPT	.125"
VM450	1/2" NPT	.45"
VM550	1/2" NPT	.25"
VM650	1/2" NPT	.125"

Base (3/4") is one piece construction and is designed for no warpage and lots of strength

Float arm has molded in brass inserts which will never strip or rust

Cap has patent pending slotted vent which relieves pressure and helps with anti-siphon compliance



VM112 - Float Arm

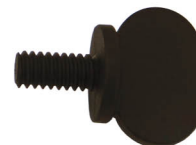
Float arm provides for 3 different lengths. Arm can be snapped to right length for your application

Attachment tab for float is molded in—no chance for leakage. Tab is offset from the center allowing for more adjustment

Plunger has a patent pending crown design which allows the plunger to rotate as water flows through it. This feature allows sand and rust to flush out

Attachments have coarse notches on one side and fine notches on the other. This allows arm to match up with most floats and valves in the industry

VM117 - Float



VP115 Thumb Screw
(2 required per valve)

HAWKEYE STEEL PRODUCTS, INC.
609 Main Street
Houghton, IA 52631

800-553-1791
Fax: 319-469-4402
sales@hawkeysteel.com

THE MONTICELLO VALVE

April 1, 2024

FOB HOUGHTON, IA

Item Number	Description	MSRP
VALVES AND VALVE ASSEMBLIES		
VM100	Valve, Monticello, 3/4" Base, .45 Orifice Less Float Arm, Thumb Screws & Float	\$30.00
VM200	Valve, Monticello, 3/4" Base, .25 Orifice Less Float Arm, Thumb Screws & Float	\$30.00
VM300	Valve, Monticello, 3/4" Base, .125 Orifice Less Float Arm, Thumb Screws & Float	\$30.00
VM400	Valve, Monticello, 1/2" Base, .45 Orifice Less Float Arm, Thumb Screws & Float	\$30.00
VM500	Valve, Monticello, 1/2" Base, .25 Orifice Less Float Arm, Thumb Screws & Float	\$30.00
VM600	Valve, Monticello, 1/2" Base, .125 Orifice Less Float Arm, Thumb Screws & Float	\$30.00
VM150	Valve, VM100 Complete with Float Arm, 2 Thumb Screws & Float, 3/4" Base, .45 Orifice	\$46.00
VM250	Valve, VM200 Complete with Float Arm, 2 Thumb Screws & Float, 3/4" Base, .25 Orifice	\$46.00
VM350	Valve, VM300 Complete with Float Arm, 2 Thumb Screws & Float, 3/4" Base, .125 Orifice	\$46.00
VM450	Valve, VM 400 Complete with Float Arm, 2 Thumb Screws and Float, 1/2" Base, .45 Orifice	\$46.00
VM550	Valve, VM500 Complete with Float Arm 2 Thumb Screws and Float, 1/2" Base, .25 Orifice	\$46.00
VM650	Valve, VM600 Complete with Float Arm 2 Thumb Screws and Float, 1/2" Base, .125 Orifice	\$46.00

PARTS*

1	VM101	Cap BL101	\$3.85
2	VM102	Bottom Base, 3/4" Thread, .45 Orifice BL104	\$8.20
2	VM104	Bottom Base, 3/4" Thread, .25 Orifice	\$8.20
2	VM118	Bottom Base, 3/4" Thread, .125 Orifice	\$8.20
2	VM120	Bottom Base, 1/2" Thread, .45 Orifice	\$8.20
2	VM121	Bottom Base, 1/2" Thread, .25 Orifice	\$8.20
2	VM122	Bottom Base, 1/2" Thread, .125 Orifice	\$8.20
3	VM105	Top Base BL105	\$8.25
4	VM103	Plunger BL108	\$4.70
4-5	VM108	Plunger with Seat Inserted	\$5.95
5	VM107	Plunger Seat BL107	\$1.25
6	VM106	Lock Pin BL106	\$1.10
7	VM110	Upper Arm BL110	\$2.95
8	VM111	Lower Arm BL111	\$2.95
9	OF210	Base Screw, 10 x 5/8 HWS BL109	\$0.30
10	VP115	Thumb Screw BL114	\$1.40
11	VM112	Float Arm BL112	\$9.80
12	VM117	Float Poly BL117P	\$10.00

*BL numbers are Franklin Valve Numbers and these parts interchange with Franklin

